



## Davidson Traffic Control Products

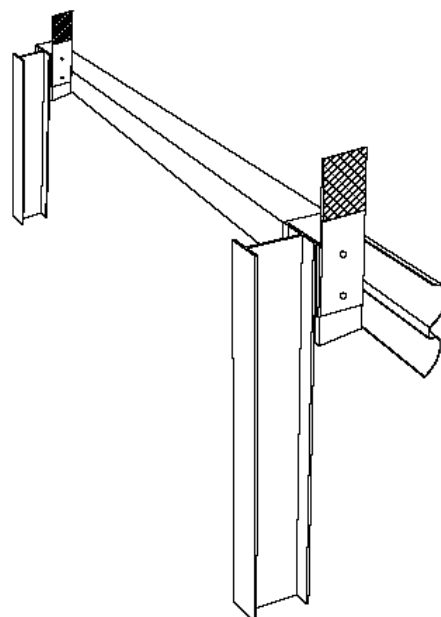
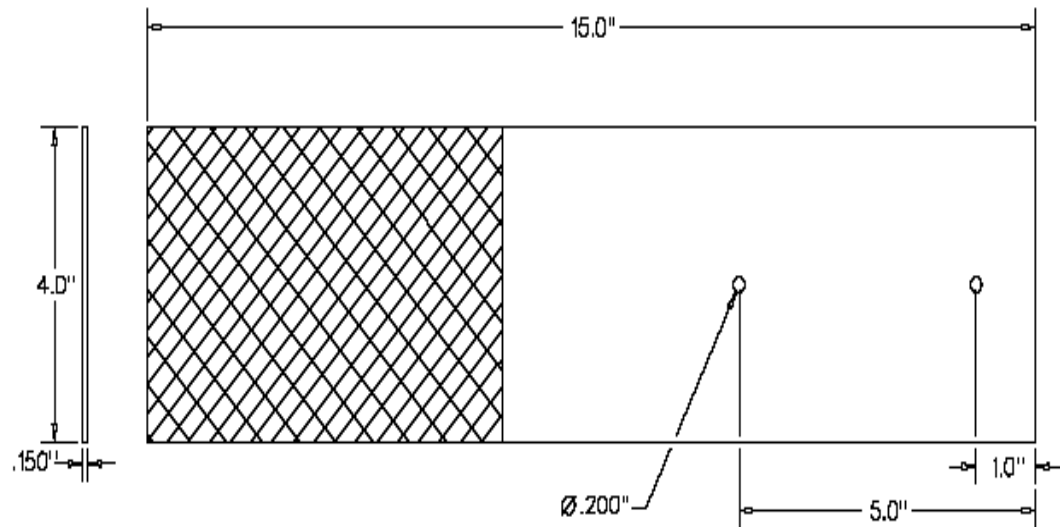
# Options, Instructions and Specifications for the “Fat Cat” Guardrail Marker



The “*Fat Cat*” is an oversize guardrail marker, similar to our Straight, FG 515 and FG 527 Guardrail markers. The *Fat Cat* is the counterpart to our oversized “Big Dog” family of oversized barrier mount reflectors - the Little Dog, the Big Dog, and the Bad Dog.

This durable and economical marker provides an effective means to delineate guardrail both day and night. This oversized marker provides an extra measure of reflectivity making it easily visible in high-speed areas, work zones, dangerous curves or intersections.

The *Fat Cat* complies with the Federal Highway Administration’s recommendation for comprehensive safety improvements for elderly drivers. Its larger size provides greater delineation and nighttime visibility.



The *Fat Cat* is available in various sizes to meet or exceed state specifications:

<b>Fat Cat 12</b>	<b>3" X 4"</b>
<b>Fat Cat 16</b>	<b>4" X 4"</b>
<b>Fat Cat 20</b>	<b>5" X 4"</b>
<b>Fat Cat 24</b>	<b>6" X 4"</b>
<b>Fat Cat 28</b>	<b>7" X 4"</b>
<b>Fat Cat 32</b>	<b>8" X 4"</b>

### Reflective Sheeting Options

<b>HI</b>	<b>3m High Intensity</b>
<b>DG</b>	<b>3M Diamond Grade</b>
<b>AD</b>	<b>Avery Prismatic</b>
<b>AR</b>	<b>Refelxite AR 1000</b>

